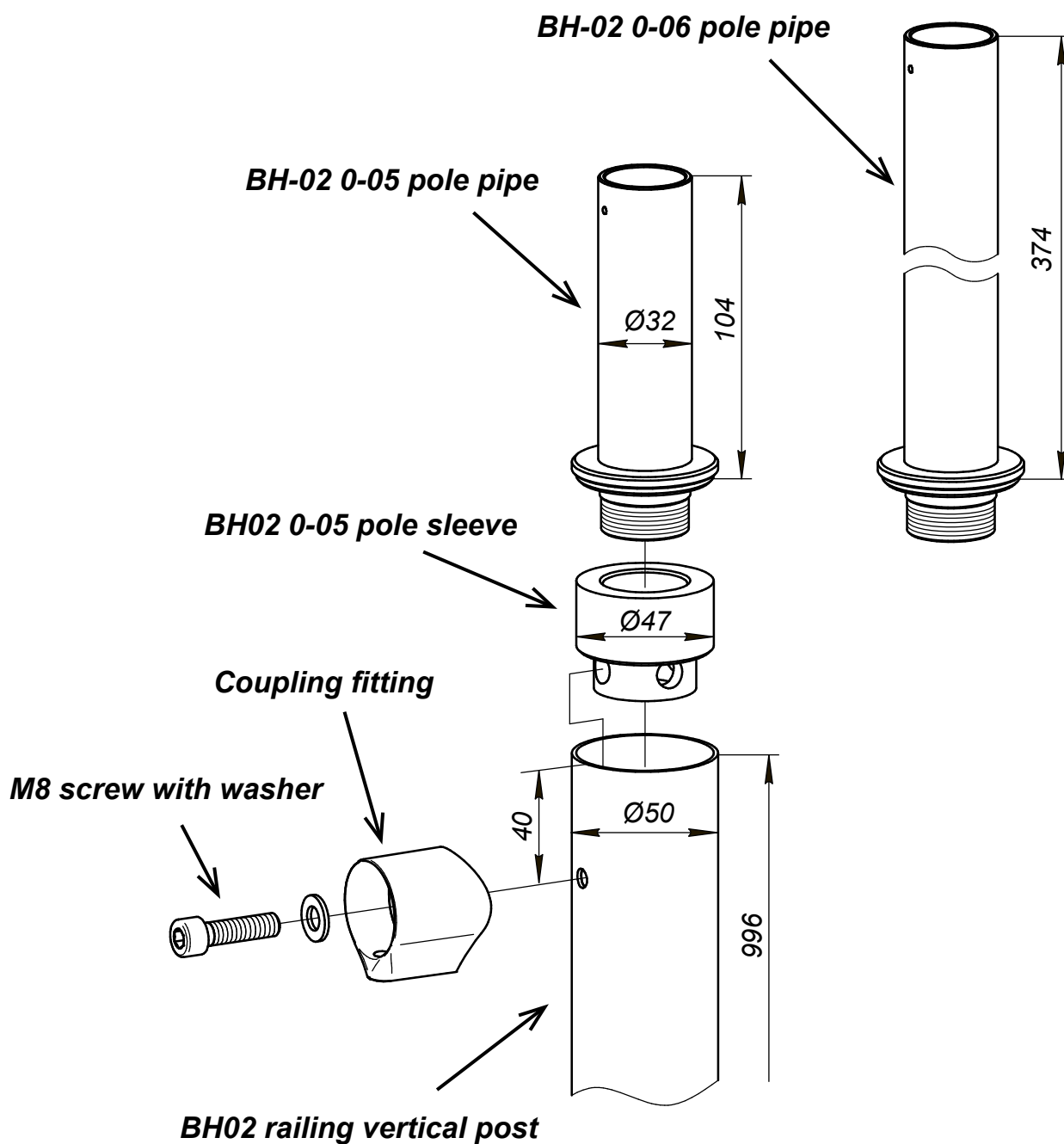
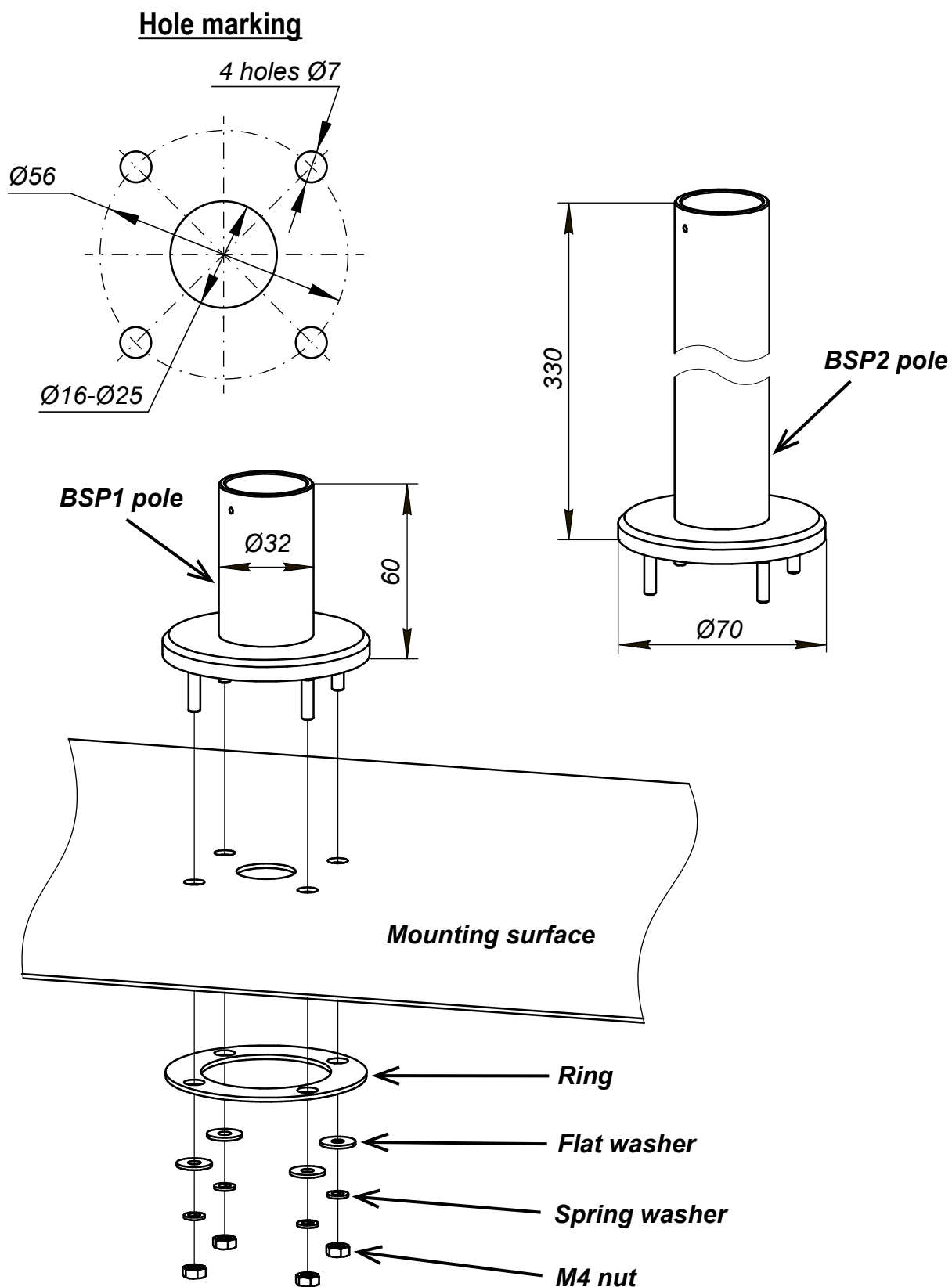


The installation layout of the BH02 0-05, BH02 0-06 poles on the BH02 railing vertical post



1. Before installation, remove the top plug from the BH02 railing vertical post.
2. The bracket with additional equipment is fixed on the pipe with an M3x3 set screw.

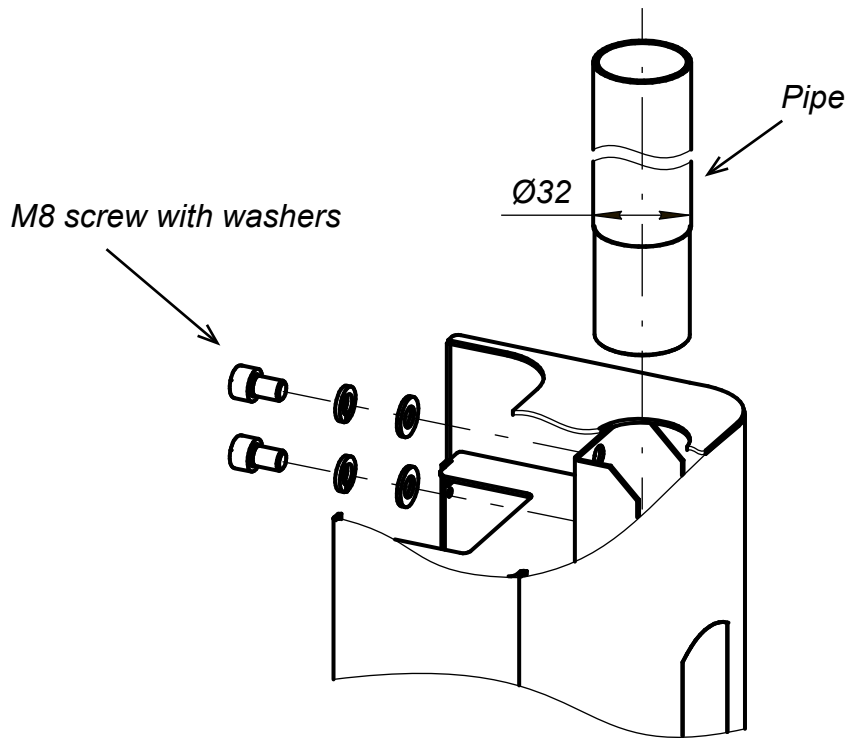
The installation layout of the BSP1, BSP2 poles



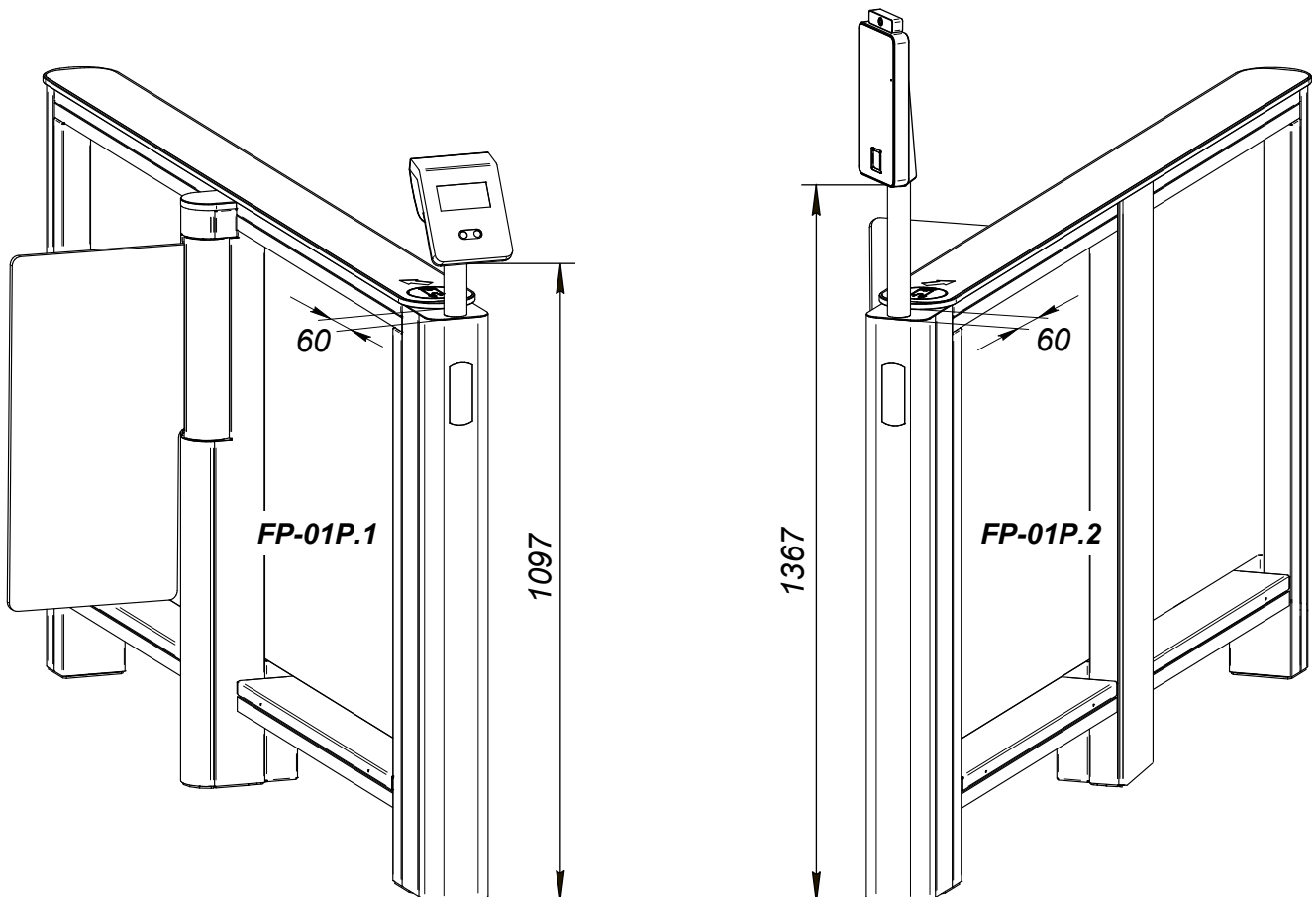
1. Mark and drill the holes on the mounting surface (use the ring as a template).
2. Install the pole into the holes, put the ring and fix it with M4 nuts with spring washers.
3. If the ring cannot be installed, replace it with the flat washers supplied.
4. The bracket with additional equipment is fixed on the pole with an M3x3 set screw.

The installation layout of the FP-01P.1, FP-01P.2 front panels

Attention! This product can only be installed on the ST-01 (STD-01) Speed gate

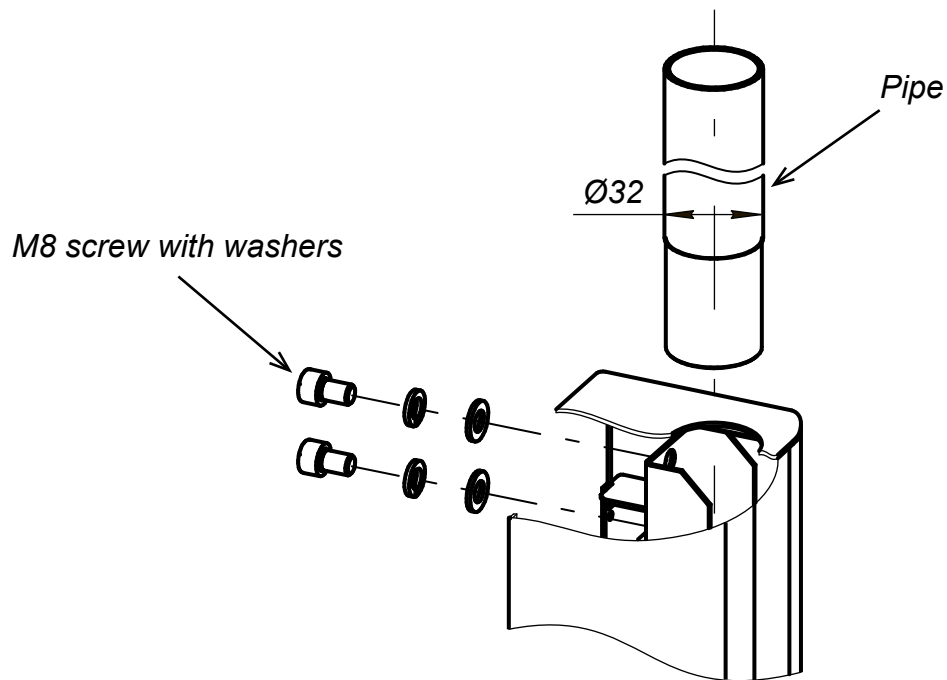


1. Carefully, without leaving scratches, insert the pipe into the hole of the front panel.
2. Fix the pipe on the panel with two M8 screws with washers.
3. The bracket with additional equipment is fixed on the pipe with an M3x3 set screw.

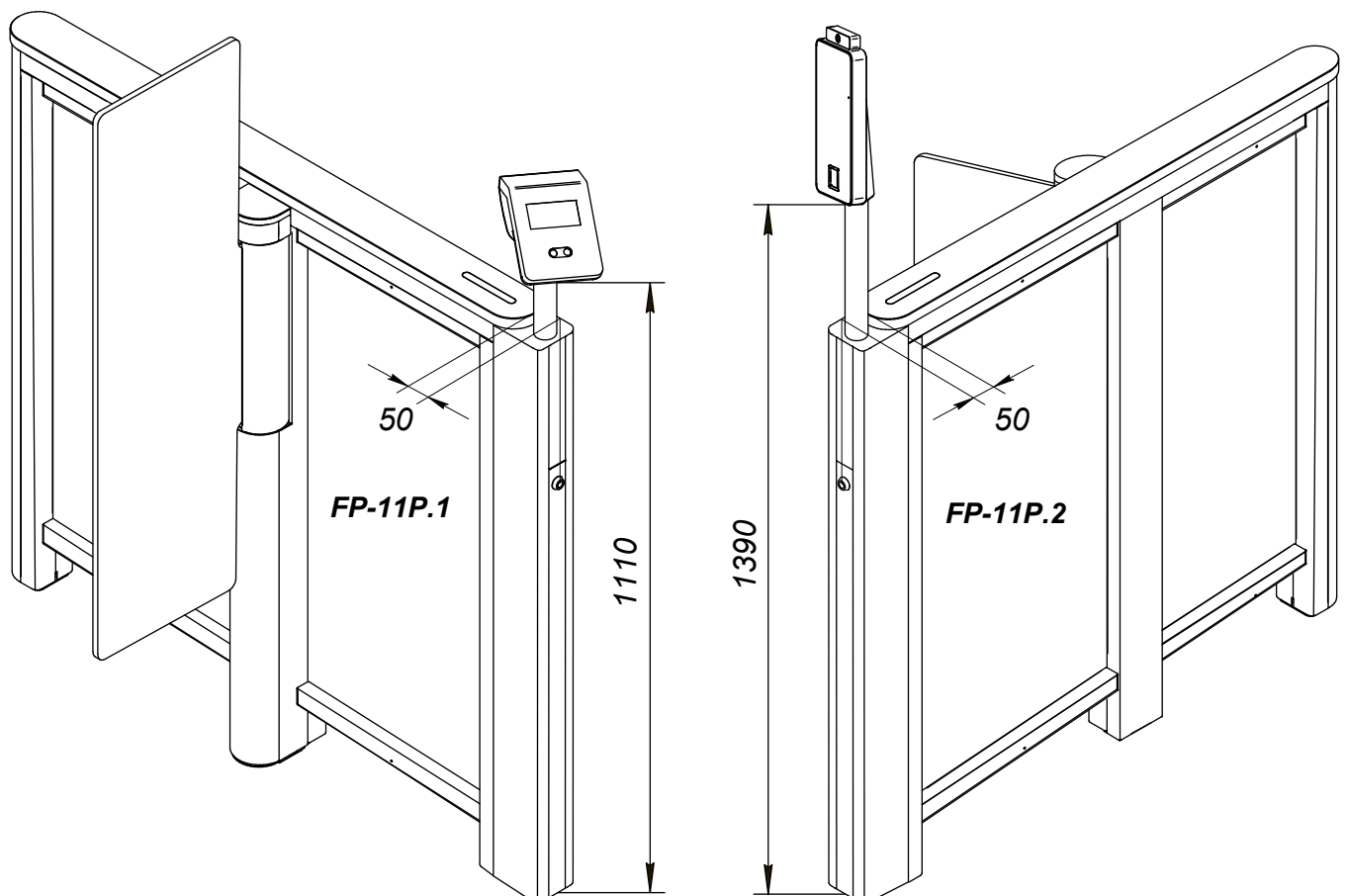


The installation layout of the FP-11P.1, FP-11P.2 front panels

Attention! This product can only be installed on the ST-11 (STD-11) Speed gate

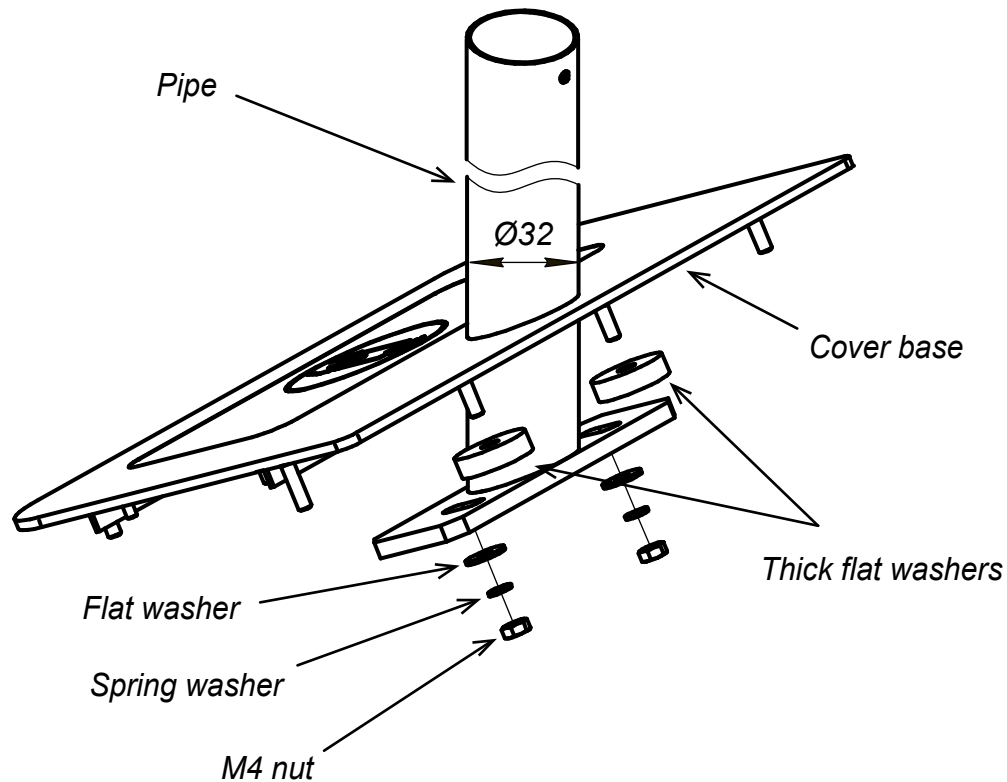


1. Carefully, without leaving scratches, insert the pipe into the hole of the front panel.
2. Fix the pipe on the panel with two M8 screws with washers.
3. The bracket with additional equipment is fixed on the pipe with an M3x3 set screw.

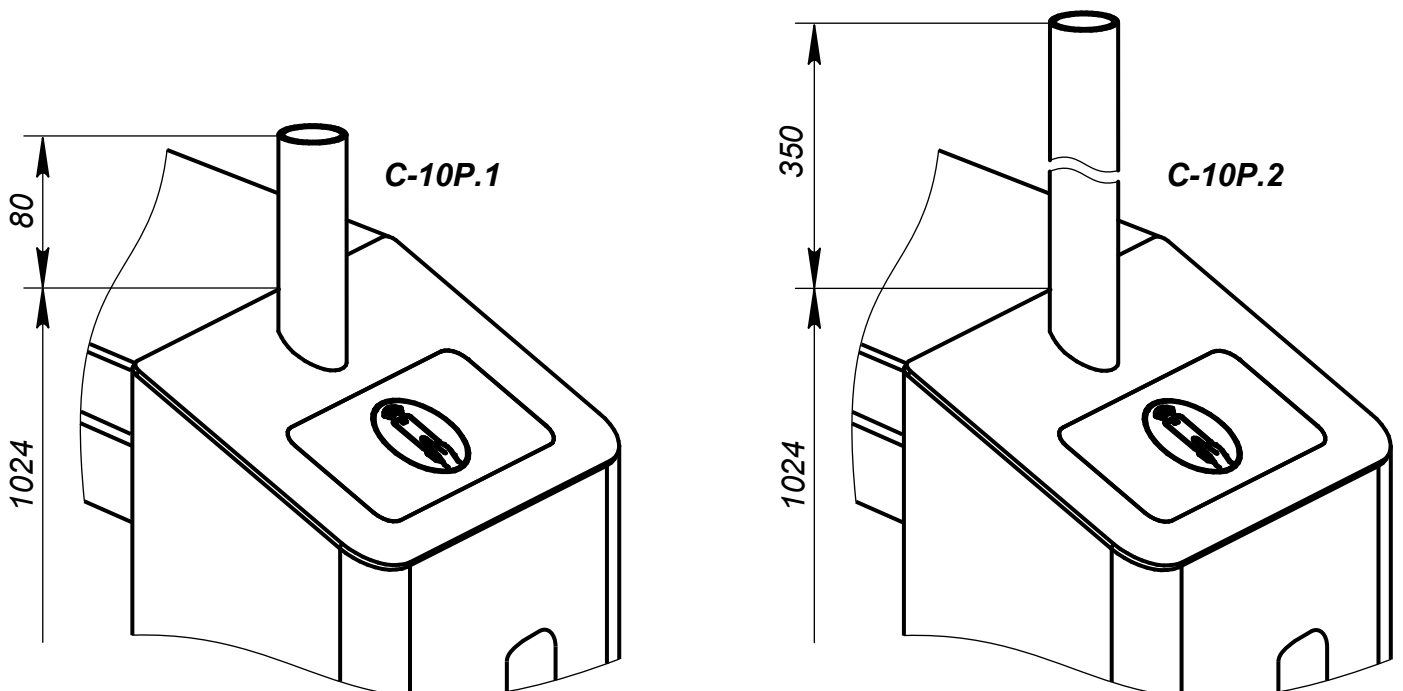


The Installation layout of the C-10P.1, C-10P.2 poles

Attention! This product can only be installed on the TTD-10A and TTD-12A Box tripod turnstiles



1. Carefully, without leaving scratches, insert the pipe into the hole of the cover base.
2. Install two thick flat washers on the base studs and fix the pipe on the base with M4 nuts and washers. The maximum tightening torque of the nuts is 1.5 Nm.
3. The bracket with additional equipment is fixed on the pipe with an M3x3 set screw.

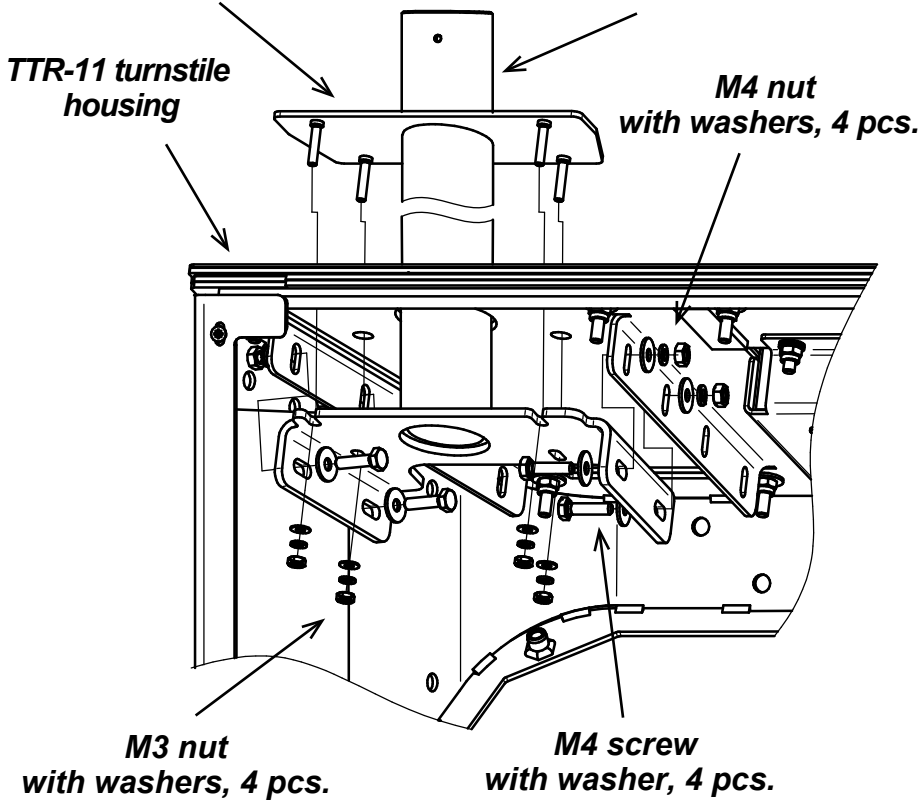


The installation layout of the C-11P.1, C-11P.2 poles

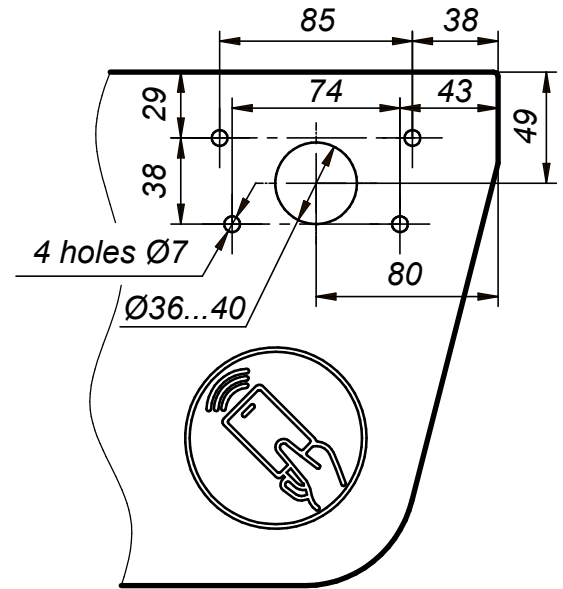
Attention! This product can only be installed on the TTR-11A Tripod turnstile

The C-11P.1, C-11P.2 pole top panel

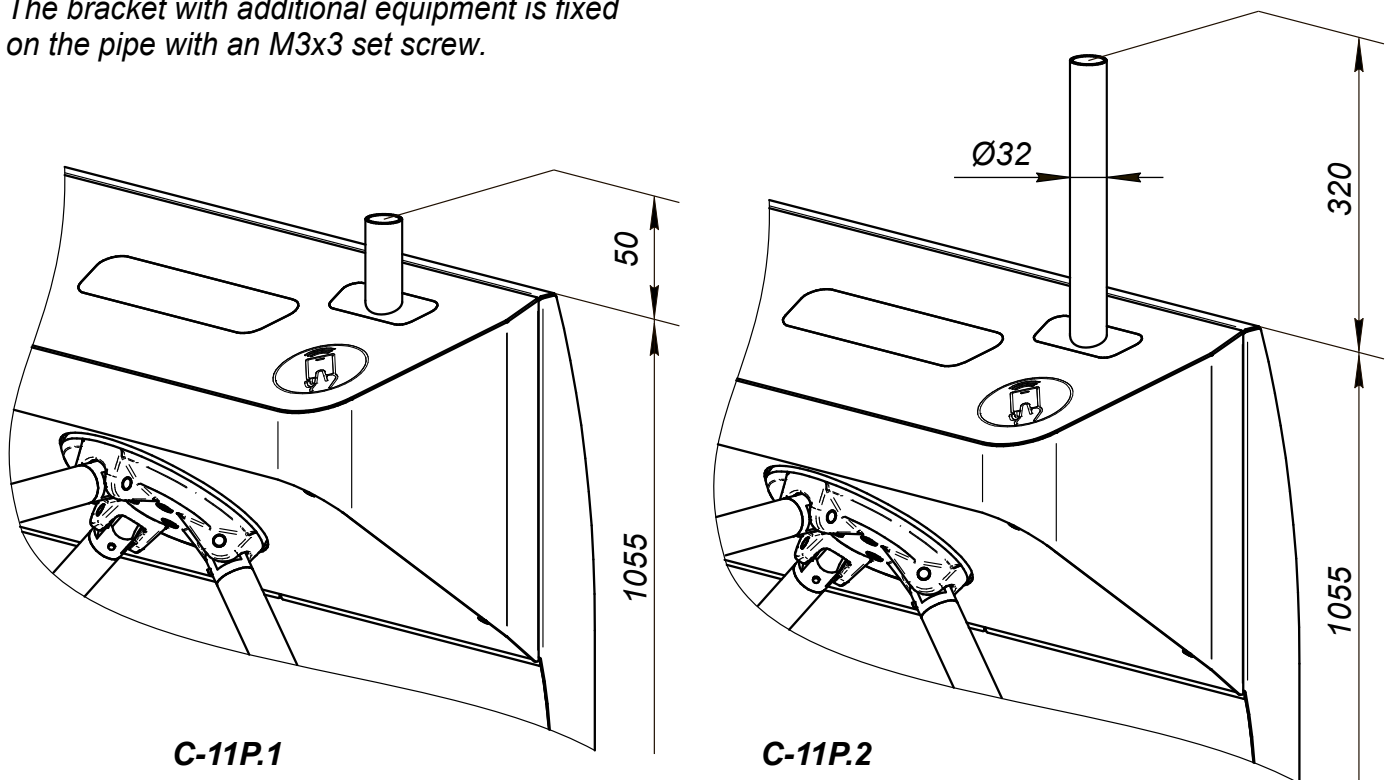
C-11P.1, C-11P.2 pole pipe



Hole marking



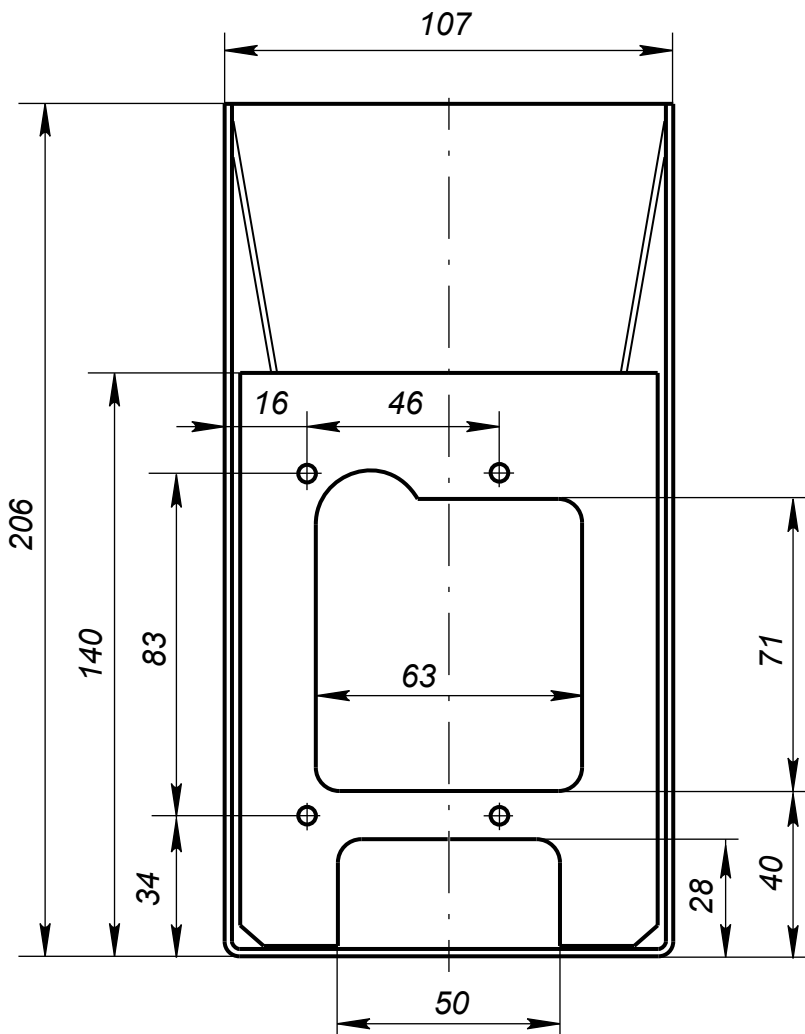
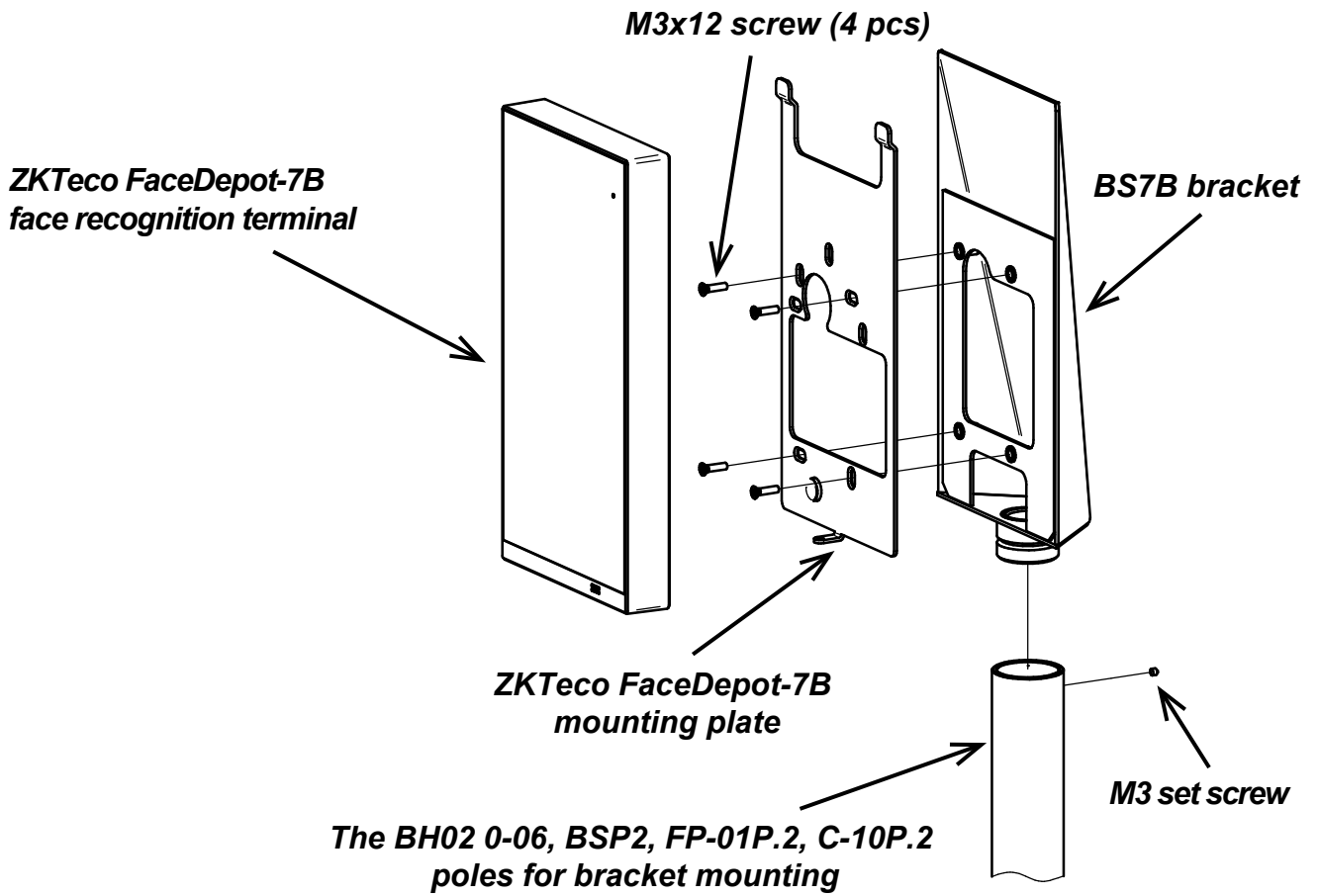
1. Mark and drill the holes in the turnstile housing.
2. Insert the pole pipe into the top panel hole, keeping it vertical.
3. Fasten the pole base in the holes of the special chassis inside the turnstile housing with four M4 screws, washers, and nuts.
4. Put the top panel on the pole pipe and fix it through the holes on the turnstile housing with M3 nuts and washers.
5. The bracket with additional equipment is fixed on the pipe with an M3x3 set screw.



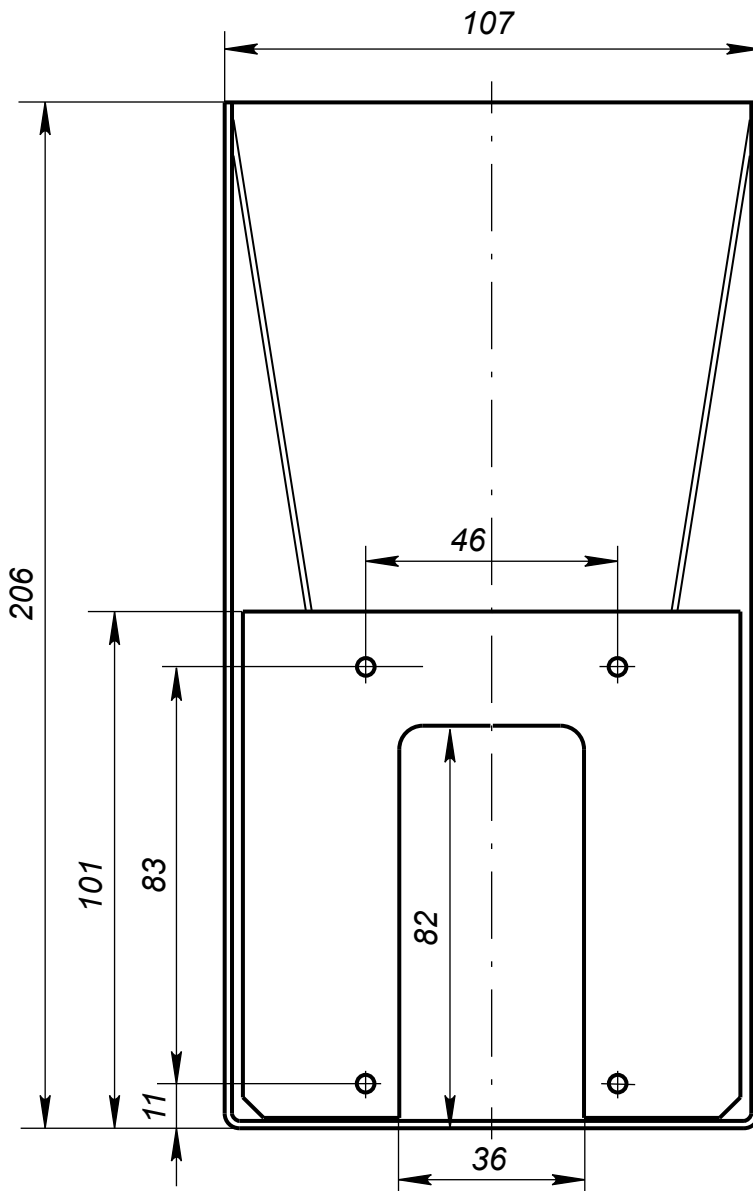
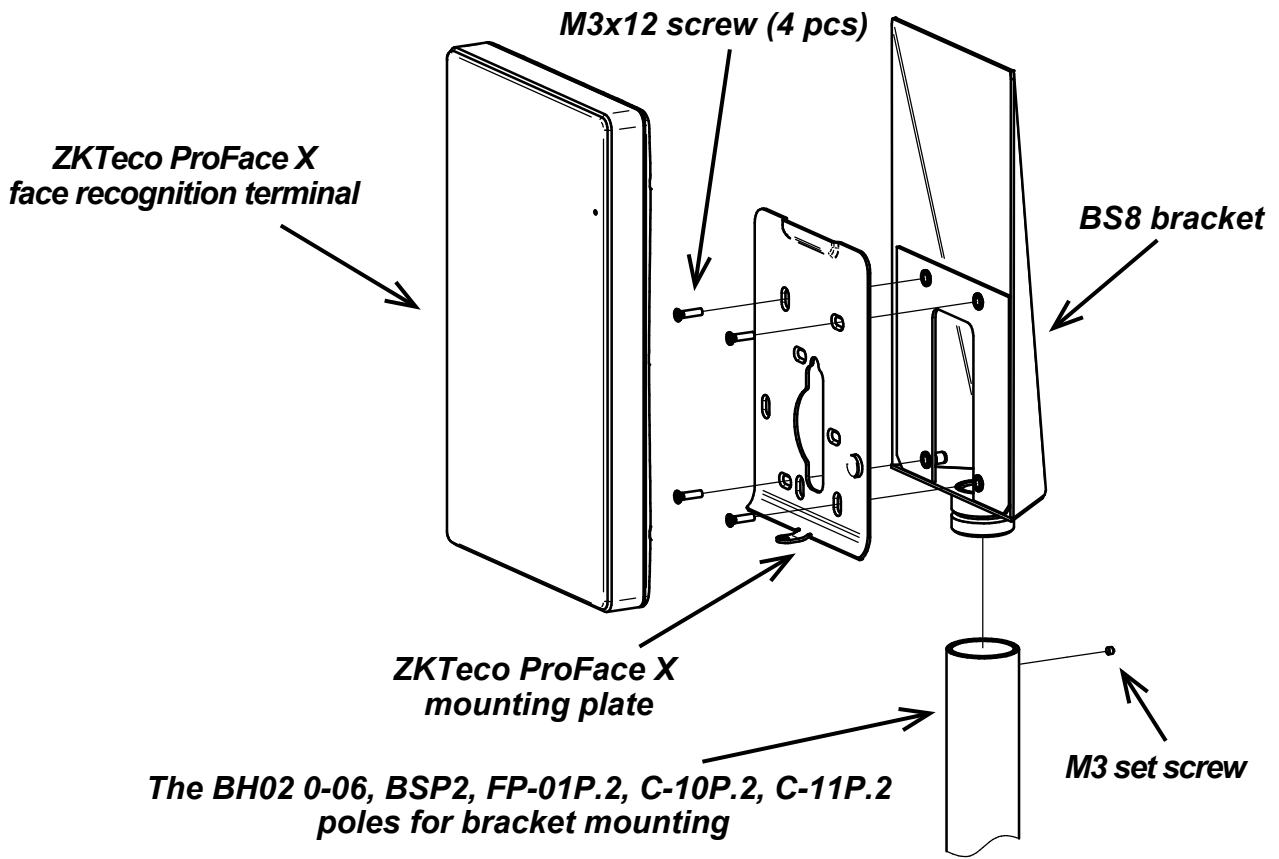
C-11P.1

C-11P.2

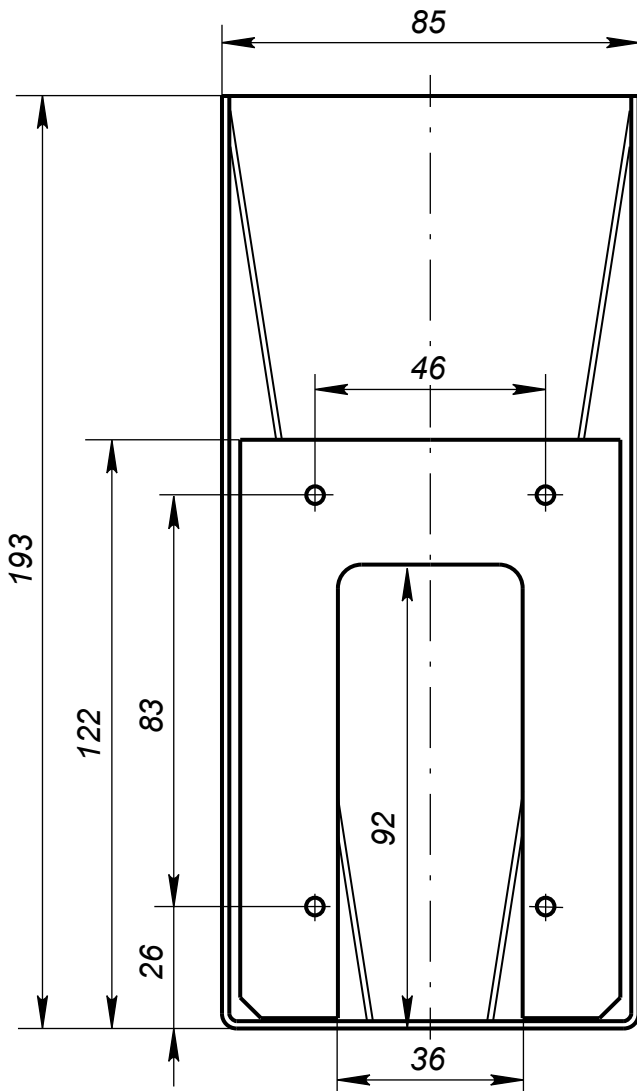
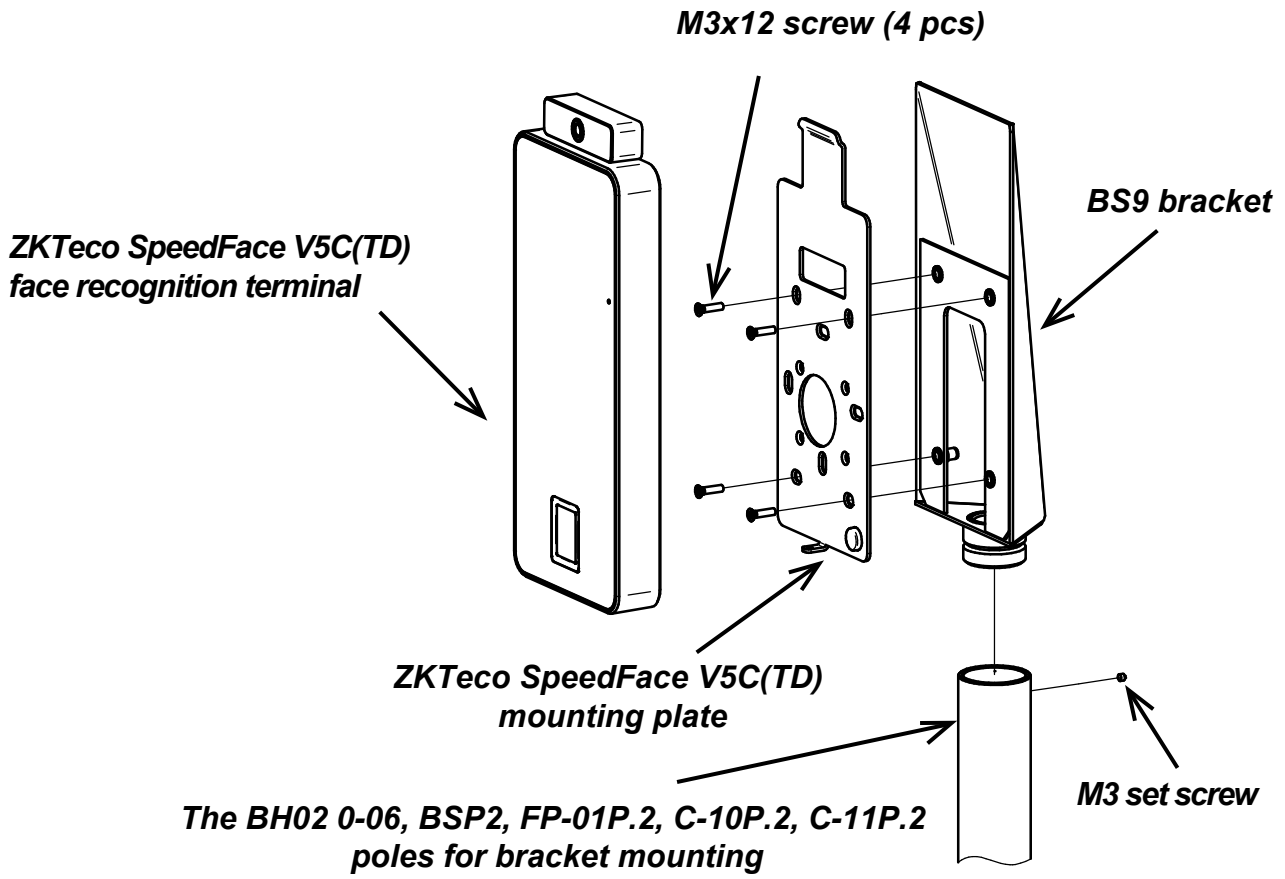
The installation layout of the BS7B bracket



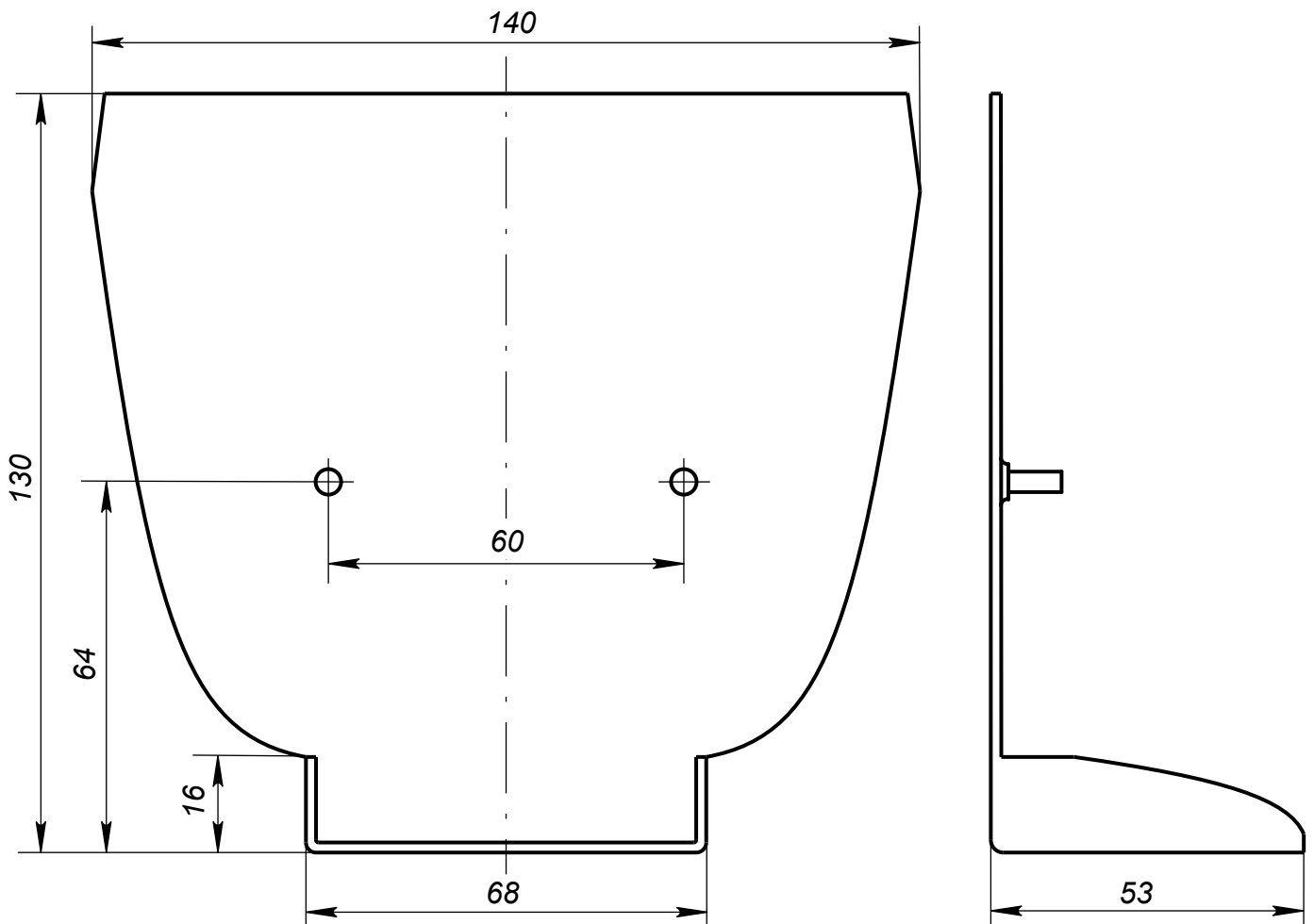
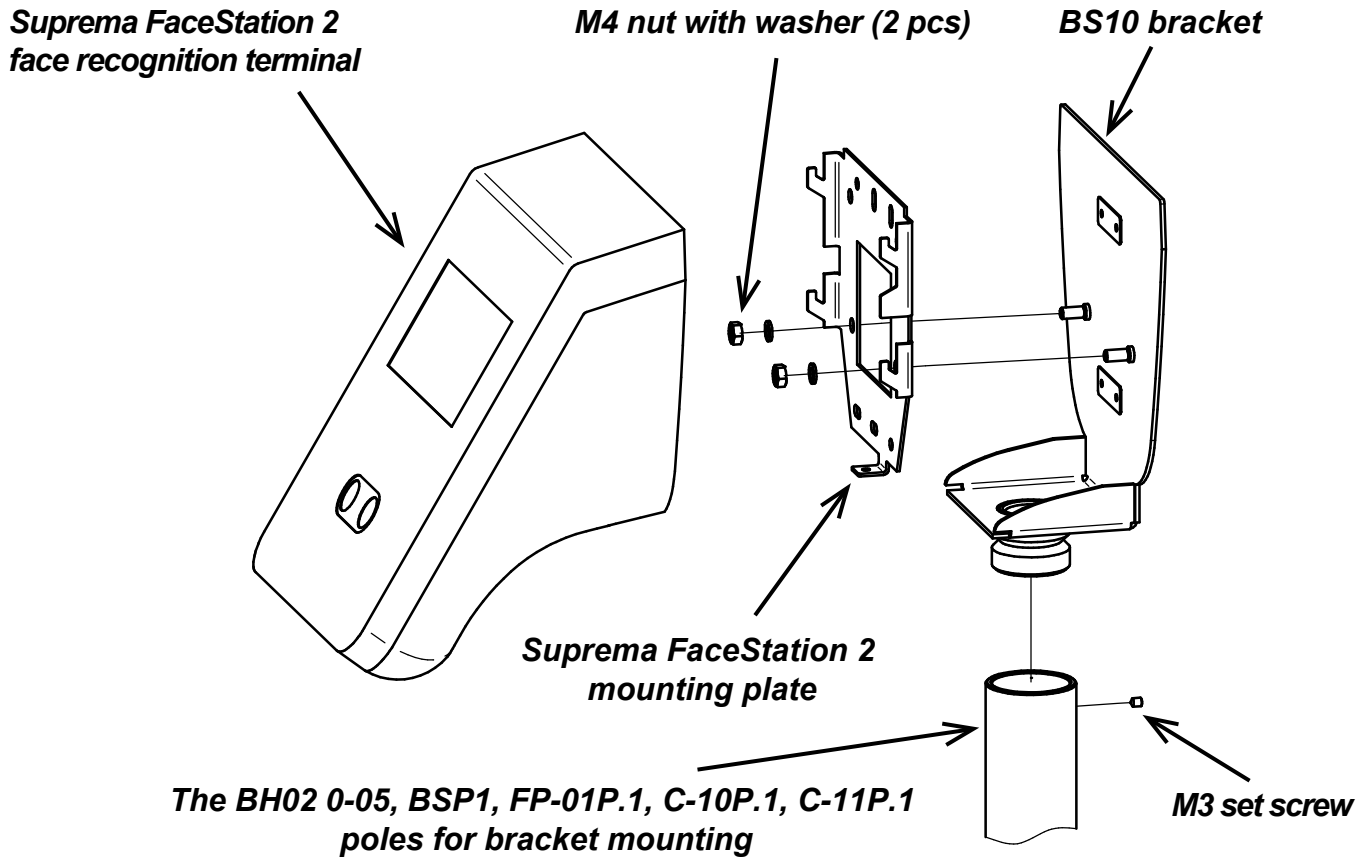
The installation layout of the BS8 bracket



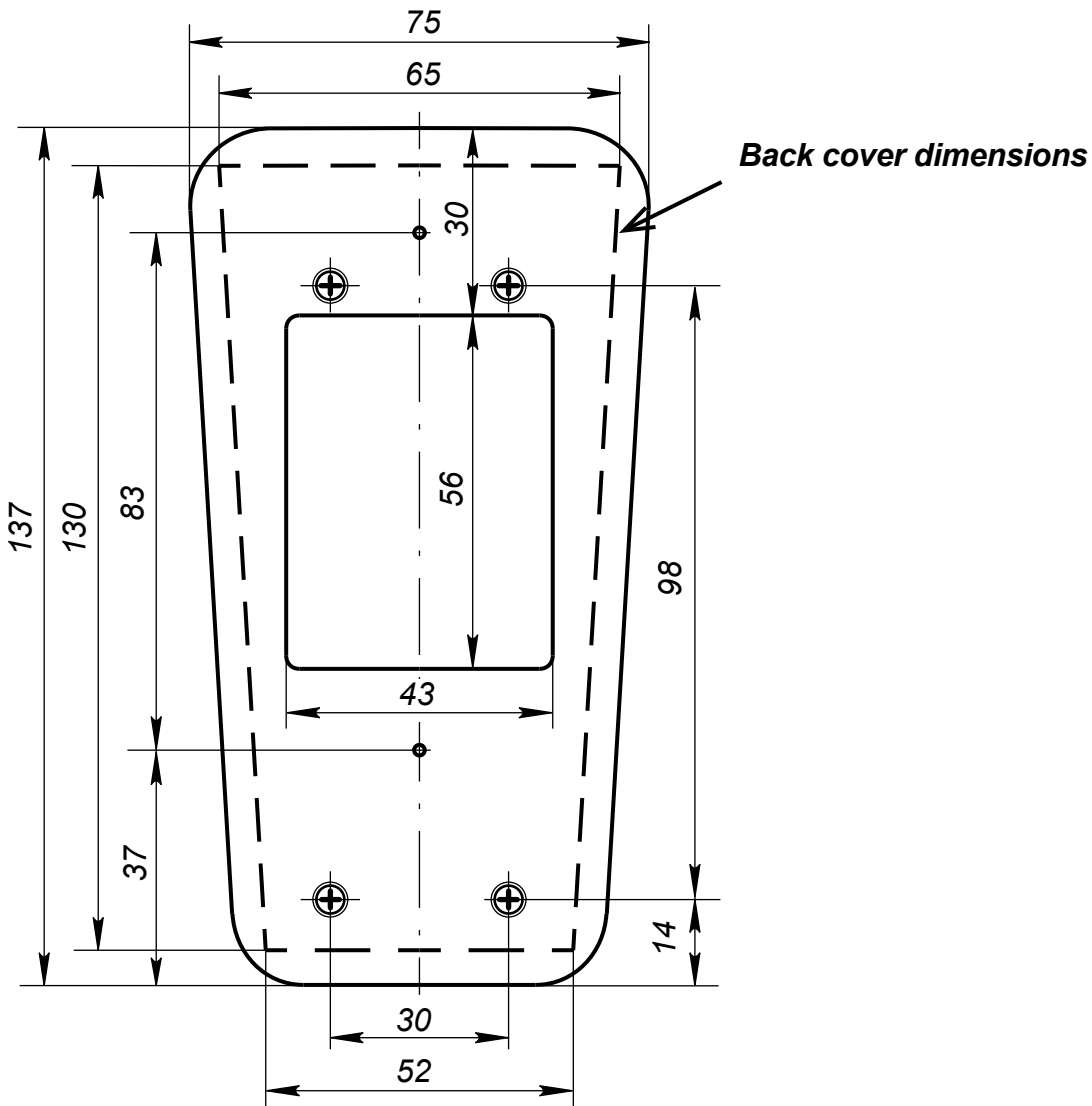
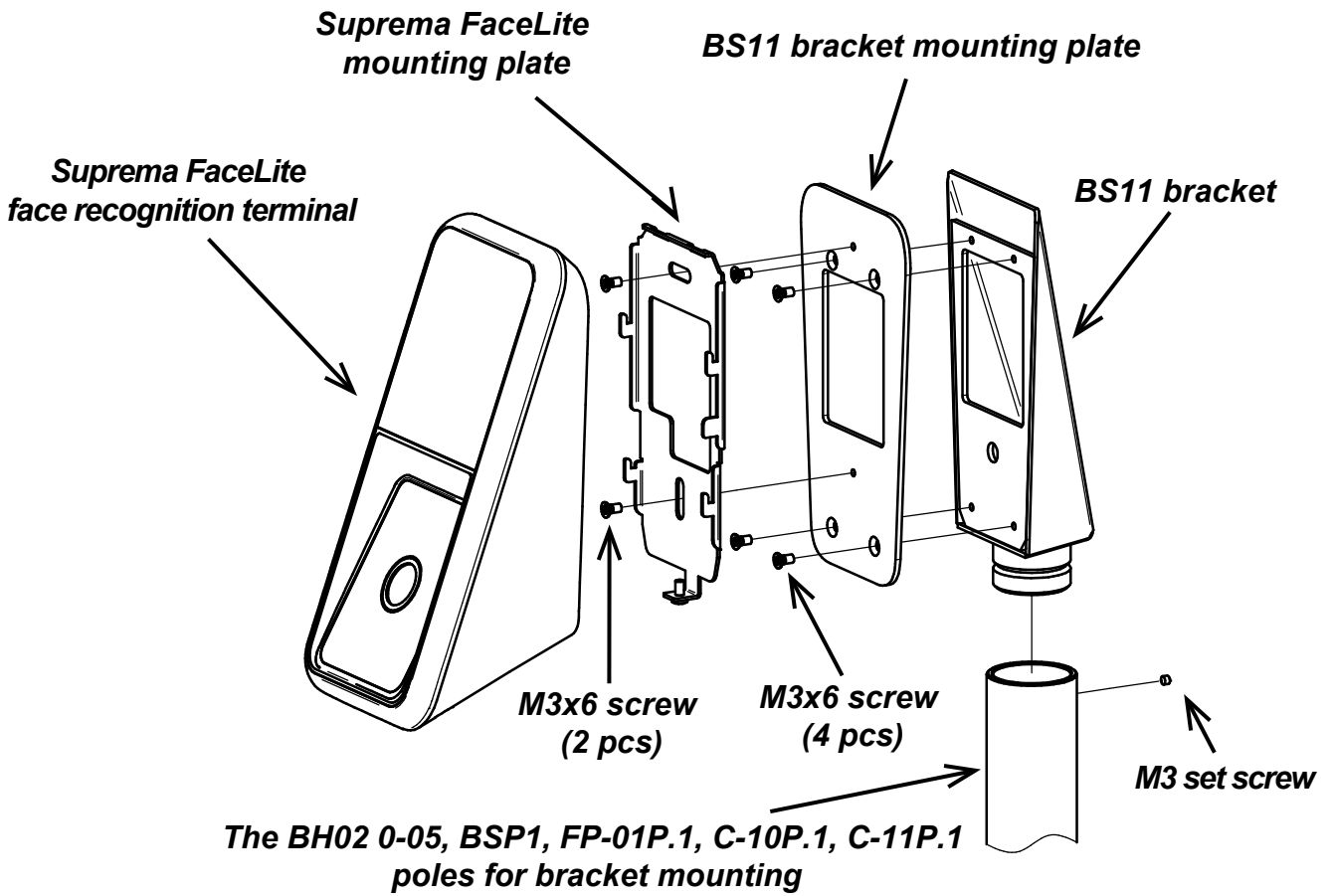
The installation layout of the BS9 bracket



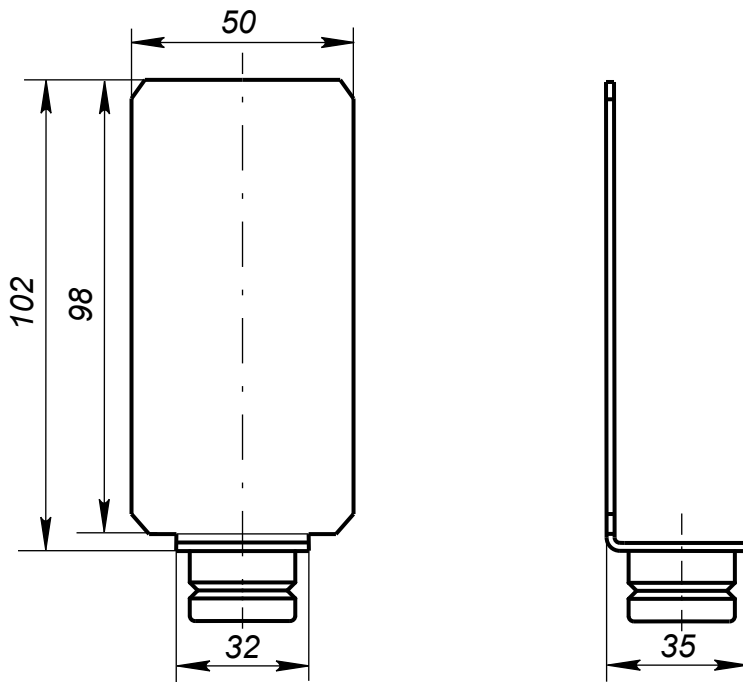
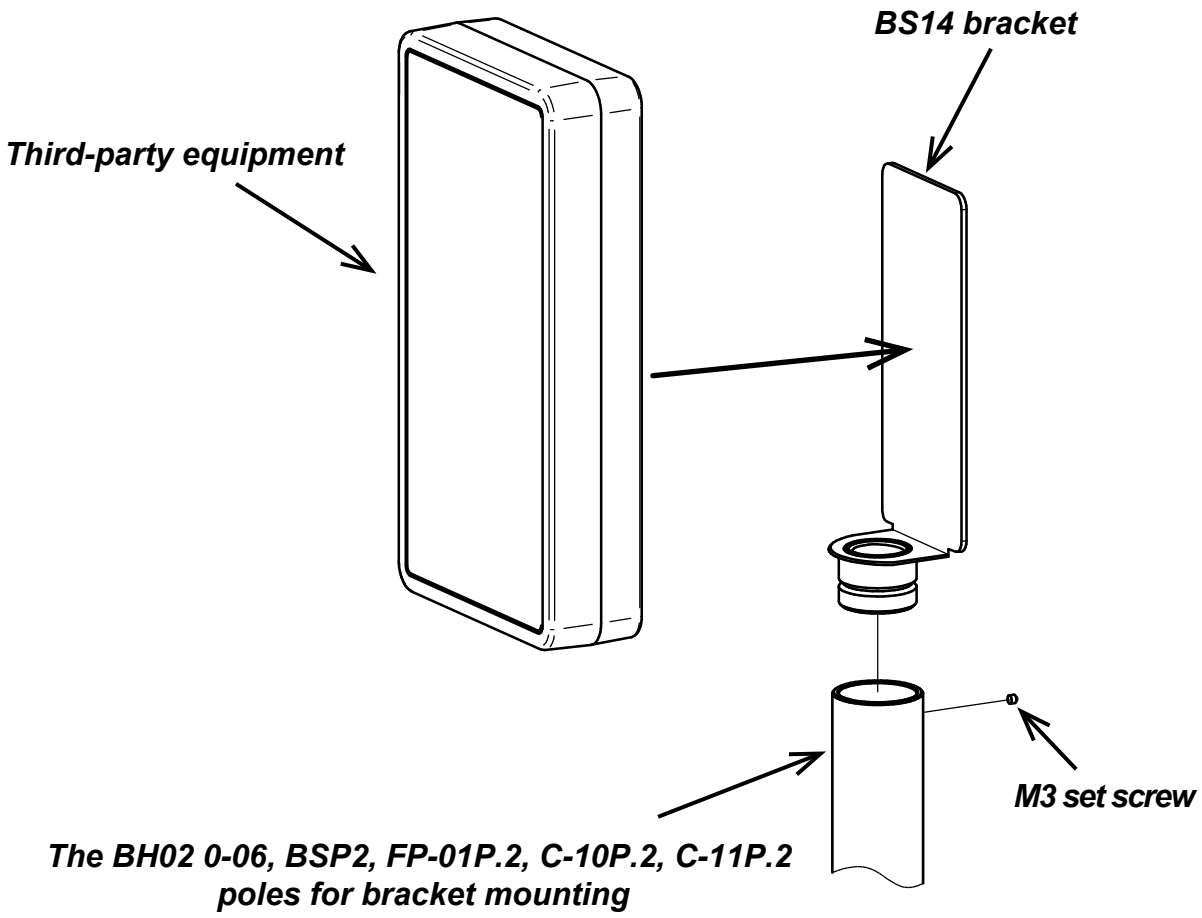
The installation layout of the BS10 bracket



The installation layout of the BS11 bracket



The installation layout of the BS14 bracket



The installation layout of the BS16 bracket

*Suprema FaceStation F2-DB
mounting plate*

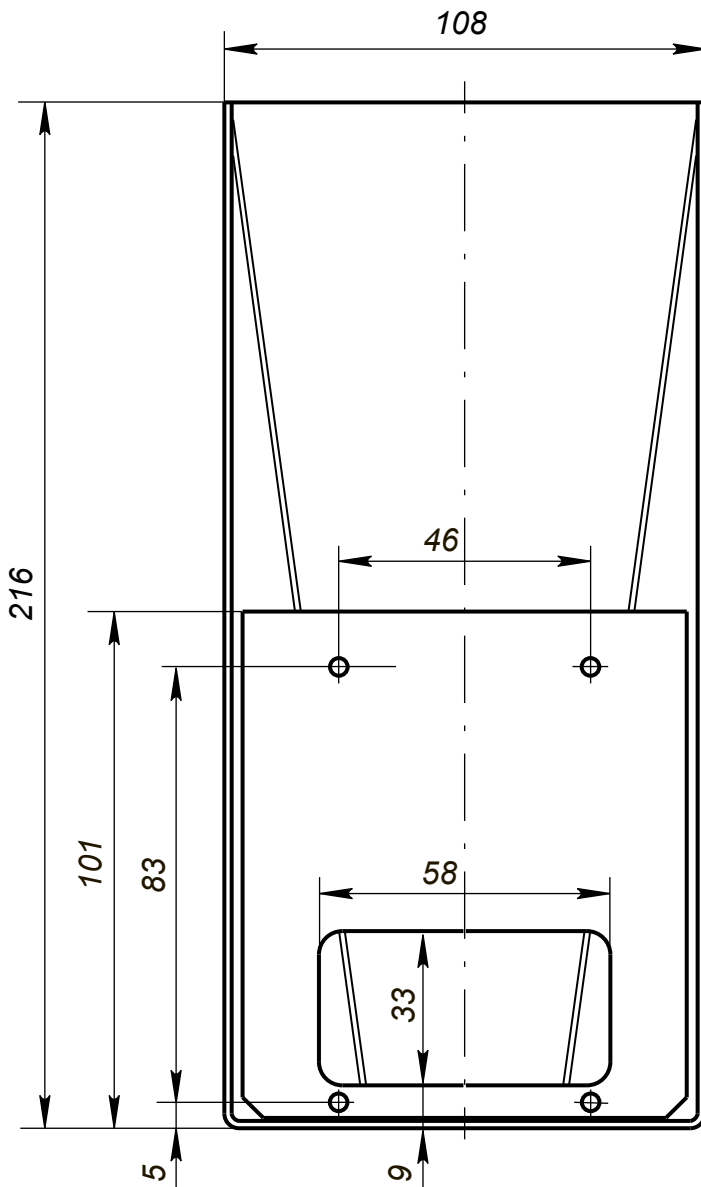
*Suprema FaceStation F2-DB
face recognition terminal*

BS16 bracket

M3x12 screw (4 pcs)

*The BH02 0-06, BSP2, FP-01P.2, C-10P.2, C-11P.2
poles for bracket mounting*

M3 set screw



The installation layout of the BS19 bracket

